

Vinireg+ & Oenoreg+

Temperature Controllers for Wine Production



Overview

Vinireg+ and Oenoreg+ are purpose-designed controllers for the wine industry. With intuitive user operation, dedicated buttons and clear display, the controller offers improved efficiency and fewer operator errors.

The controllers are easy to set up and install, with no costly and time consuming programming needed. This in turn leads to faster maintenance changes to minimize the risk of waste and reduce overall costs.

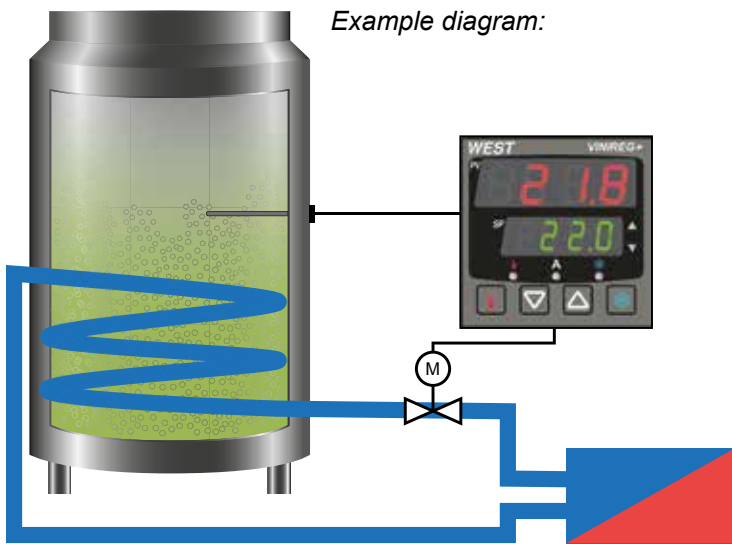
General Features and Benefits

- Front panel mounted in 1/16 DIN (48 x 48mm) and 1/8 DIN (96 x 48mm) formats (HxW)
- Temperature shown upper display, desired setpoint on lower display
- Controllers are treated for high humidity protection to improve reliability
- Simple operation with 4 keys
 - HEAT and COOL ON/OFF control
 - Temperature adjust UP or DOWN
- Temperature ramp rate setting
 - Prevents heating up or cooling down too quickly
- Option modules for easy on-site upgrade or maintenance.

Vinireg+

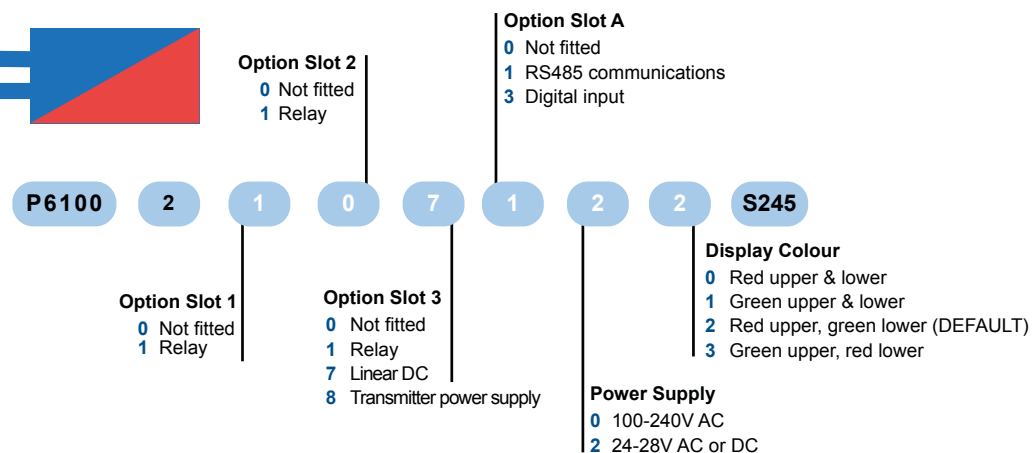
48 x 48mm format controller intended for single control point applications. The Vinireg+ main output can be set for Hot or Cold water control depending on the mode selected.

Example diagram:



Features

- 1/16 DIN (48 x 48 x 110mm) (HxWxD).
- START/STOP of heating or cooling water circuit
- The target temperature set on front panel
- One control output: heat or cool water supply
- Two process alarms
 - Deviation high or low, absolute high or low, band

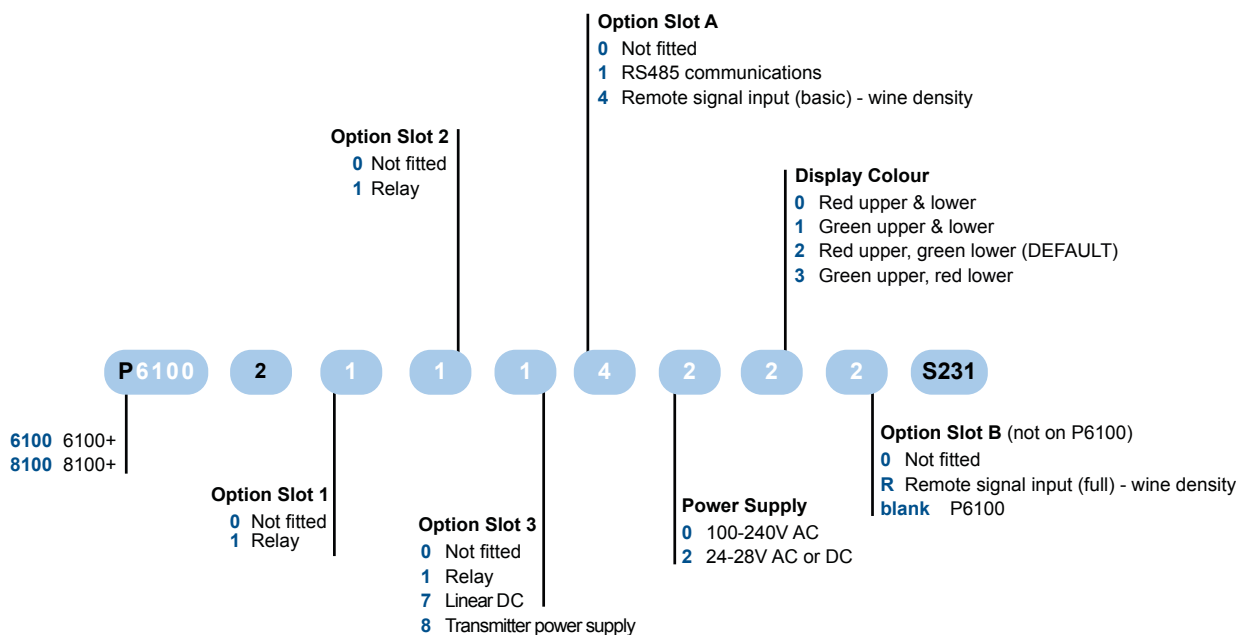
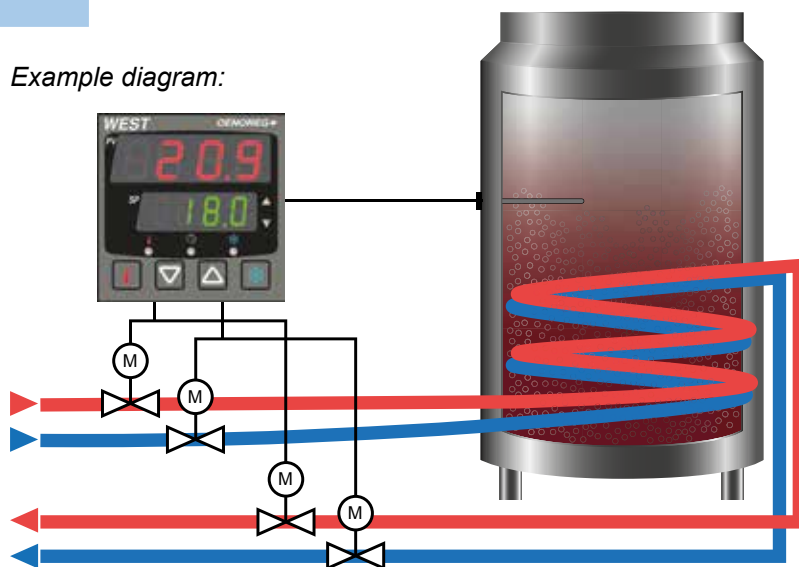


48 x 48mm or 96 x 48mm format controllers intended for dual control applications. The Oenoreg+ has separate outputs to independently control the Hot and Cold water circuits.

Features

- 1/16 DIN (48 x 48 x 110mm) and 1/8 DIN (96 x 48 x 110mm) formats (HxWxD)
- START/STOP of heating and cooling circuits.
- The target temperature set on front panel
- Single or two setpoints
- Two control outputs for heat and cool water circuits
- One process alarm
 - Deviation high or low, absolute high or low, band
- Wine density alarm via remote signal input

Example diagram:



Key Features



	Vinireg+	Oenoreg+
Front Panel Size	1/16 DIN (48 x 48mm)	1/16 DIN (48 x 48mm) 1/8 DIN (96 x 48mm)
Input sensor types supported	Themocouple (J, K, C, R, S, T, B, L, N) or PT100	Themocouple (J, K, C, R, S, T, B, L, N) or PT100
Digital Input to select Hot or Cold water circuit	Yes	No
Remote Signal Input - wine density	No	Yes
Number of Control Outputs (max)	1	2
Number of Process Alarms (max)	2	1
Wine Density Alarm	0	1
Number of Selectable Setpoints	1	1 or 2